

OWECON OWC300 Series Advanced Tension Controller

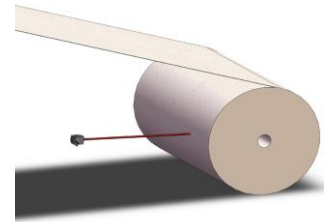
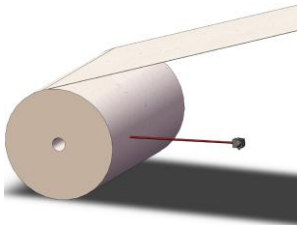


The **OWECON OWC300 Advanced Tension Controller** is part of the new generation of digital controllers .

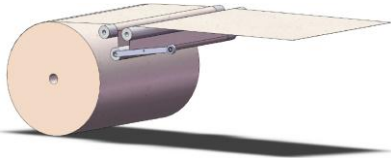
- ✓ New designed, high performance 32 bit stand alone controller in up-to-date industrial design
- ✓ Flexible OEM solutions, Data Bus, Remote communication and integration simplicity
- ✓ Teach – and Tare functions for optimum ease of setup. Plug & Play installation
- ✓ 4,3" TFT 256 color 480 x 272 pixel touch screen in-box version – or for cabinet installation.
- ✓ Designed to meet UL and CE requirements
- ✓ A range of peripherals for an Optimum Web Control application with the OWC300 controller
- ✓ Price / performance competitive.

Typical applications:

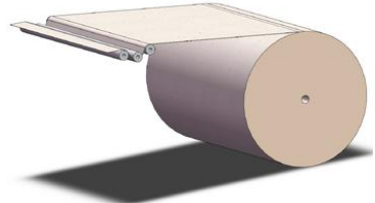
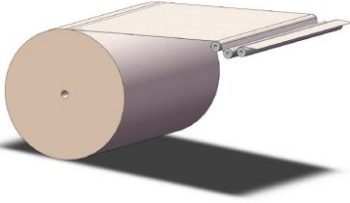
<p>Open Loop Unwind</p> <ul style="list-style-type: none"> • Brake control • Up to 6 stage range expanding • Diameter calculation • Start/Stop functions 	<p>OWC310 Open Loop Controller</p> <ul style="list-style-type: none"> • Laser Sensor • Ultrasonic Sensor • Proximity switch pulse 	<p>Open Loop Rewind</p> <ul style="list-style-type: none"> • Tapered tension algorithm • Control of existing drive • Clutch control • Inertia compensation
---	---	---



<p>OWC320 Dancer Controller</p> <p>Closed Loop - Unwind</p> <ul style="list-style-type: none"> • Dancer arm level sensor • Up to 6 stage range expanding • Controlled fast stops • Progressive PID loop

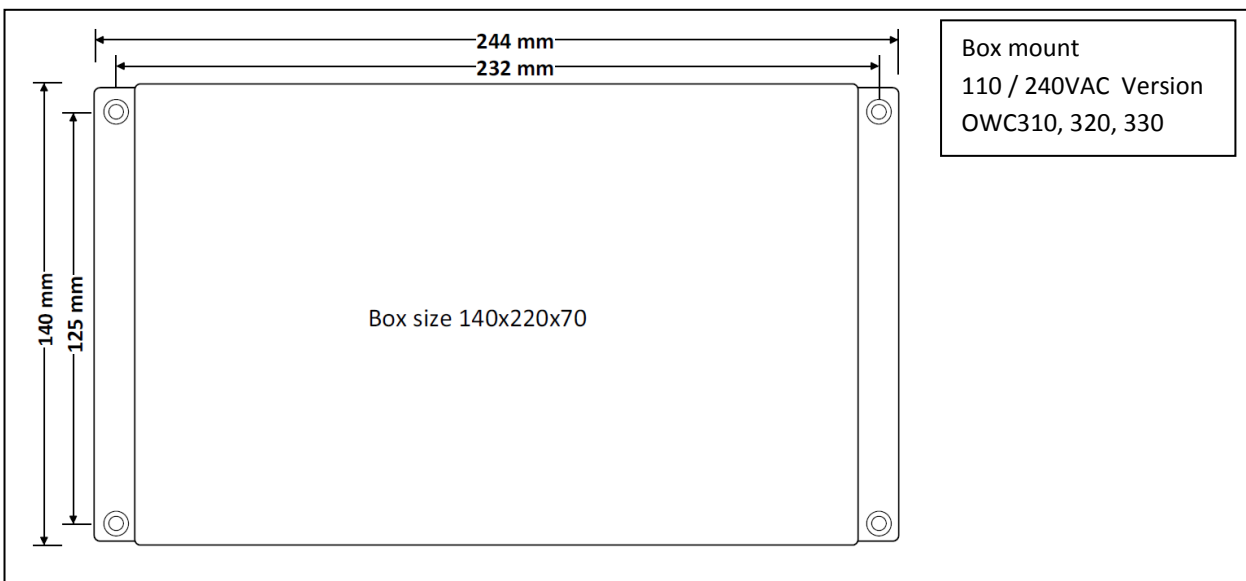
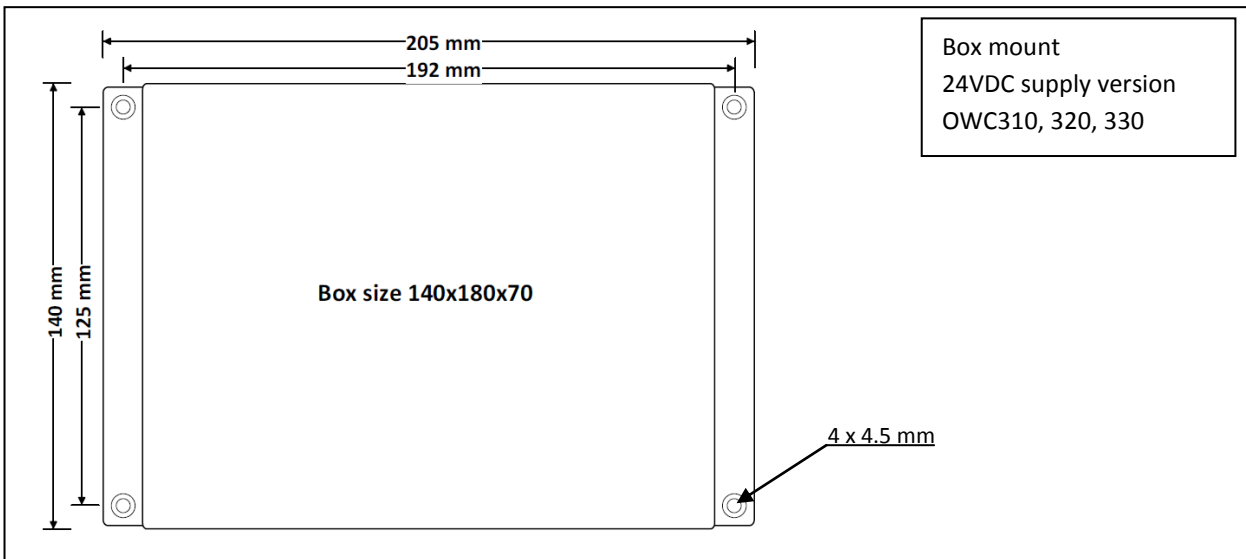
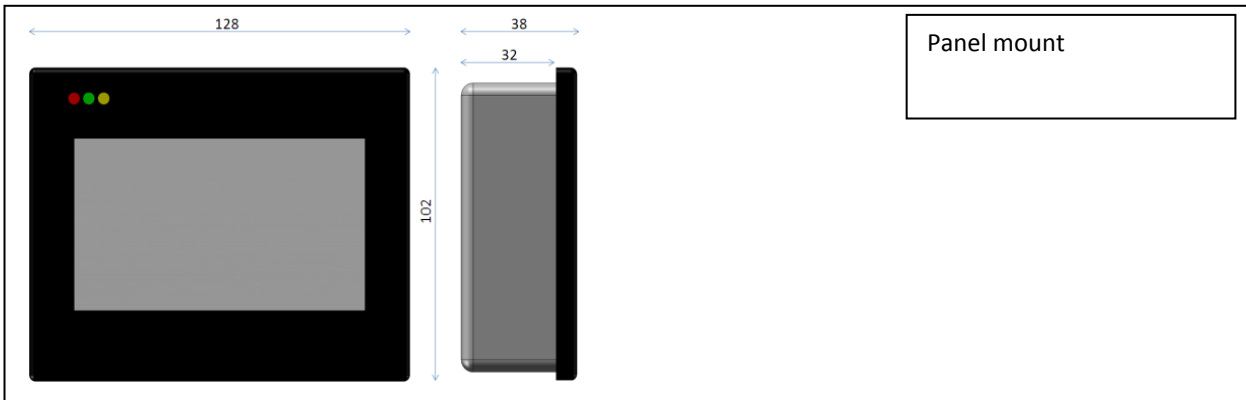


-  OWB Brakes
-  OWL Loadcells
-  OWP I/P Converter



<p>Closed Loop Unwind</p> <ul style="list-style-type: none"> • Diameter calculation • Dynamic PI loop • Pneumatic Brake • Start/Stop functions 	<p>OWC330 Load Cell Tension Controller</p> <ul style="list-style-type: none"> • Load cells • Proximity switch pulse • Web speed input 	<p>Closed Loop Rewind</p> <ul style="list-style-type: none"> • Tapered tension algorithm • Control of existing drive • Clutch control retro fit • Inertia compensation
---	---	---

Dimensions (mm):



Technical Data:

<p>OWC300 controller series</p> <p>Analogue I/O.....3xIN ; 2xOut Digital I/O.....6xIN ; 6xOUT Loadcell supply.....5VDC / 10 VDC Input signal ranges.....10-20-40-80 and 300 mV Performance A/D converter.....24bit resolution / 1,2kHz Output signal range.....0-10VDC / 4-20mA Cycle time.....1 ms Communication Interface.....Modbus Power supply.....24VDC /110VAC/240VAC Temperature working range.....0 to 50° C Protection class.....IP54 Weight.....1,5 Kg</p>	<p>OWC-HMI10 User Interface</p> <p>Operation.....4,3" TFT 256 color 480 x 272 pixel touch screen Supply.....24 VDC nominal (15-30 VDC @ 150 mA) Installation categoryII (IEC 664) Noise ImmunityEN 50082-2 industrial Noise Emission.....EN 50081-1 Temperature range (operating).....0 to 50° C Temperature range (storage).....-10 to 80° C Material fire Classification.....94 VO Degree of Protection.....IP54 Designed to meet EN 60204 and UL 508</p>
---	---

Ordering info for OWC300 Series Tension Controllers:			
<u>Type</u>	<u>Description</u>	<u>Item</u>	<u>Order</u>
Controllers			
OWC310	Open Loop controller 110 / 240VAC	33100100	<input type="checkbox"/>
	Open Loop controller 24VDC	33140100	<input type="checkbox"/>
OWC320	Dancer controller 110 / 240VAC	33200100	<input type="checkbox"/>
	Dancer controller 24VDC	33240100	<input type="checkbox"/>
OWC330	Load cell tension controller 110 / 240VAC	33300100	<input type="checkbox"/>
	Load cell tension controller 24VDC	33300100	<input type="checkbox"/>
<hr/>			
PCBs			
OWC310P	Open Loop controller PCB, 24VDC Supply	33000100	<input type="checkbox"/>
OWC320P	Dancer controller PCB, 24VDC Supply	33000200	<input type="checkbox"/>
OWC330P	Load cell tension controller PCB, 24VDC Supply	33000300	<input type="checkbox"/>
<hr/>			
Accessories:			
OWC-HMI10	Control Panel, 480 x 272 pixel touch screen	90003005	<input type="checkbox"/>
OWP120	I/P Converter 4-20mA, 0-6Bar for brakes and clutches	41200100	<input type="checkbox"/>
	Cable standard 5m/4 pole 2 plugs, straight + L-plug	90080011	<input type="checkbox"/>
OWP220	Pneumatic Interface Box, 4-20mA, 0-6 Bar	42200100	<input type="checkbox"/>
	Cable standard 5m/4 pole 2 plugs, straight	90080012	<input type="checkbox"/>
	Cable standard 10m/4 pole 2 plugs, straight	90080013	<input type="checkbox"/>