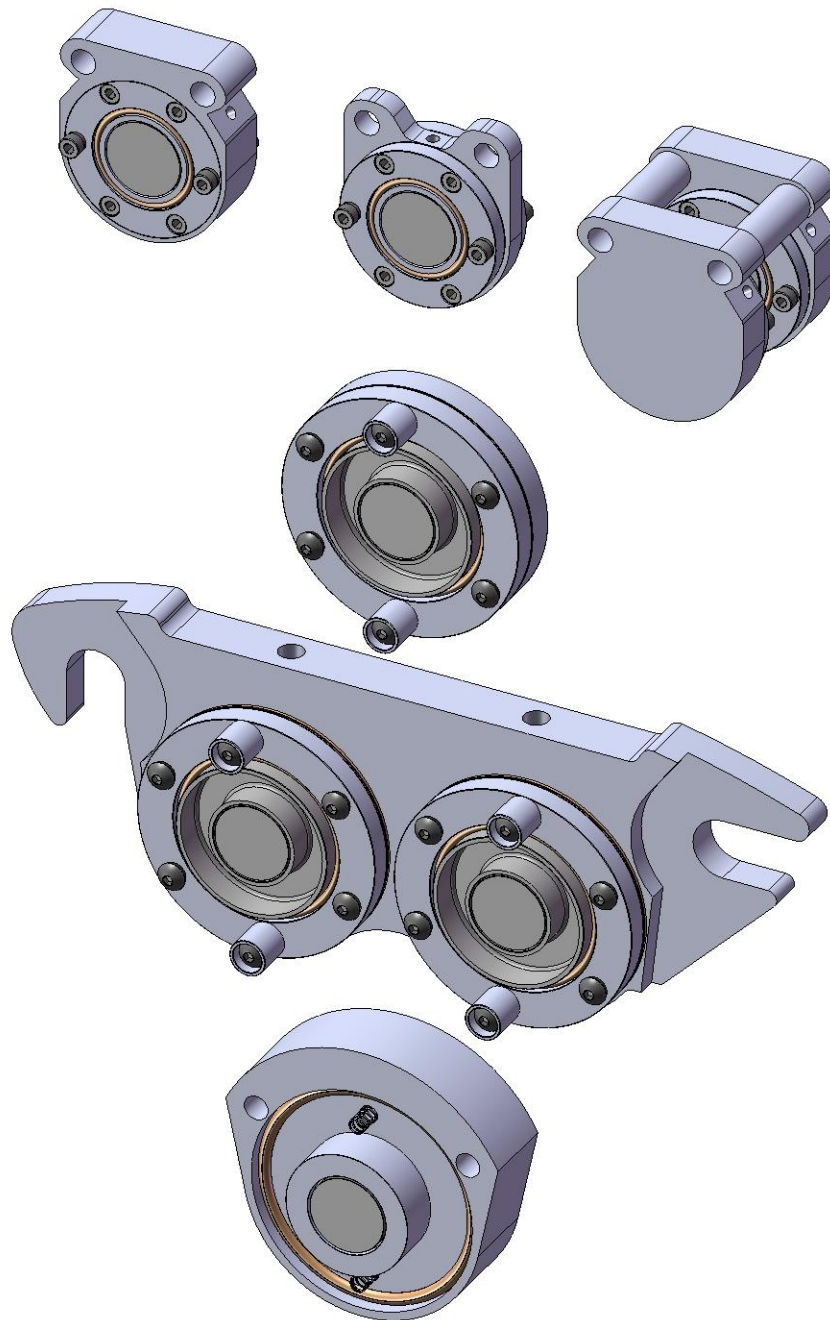


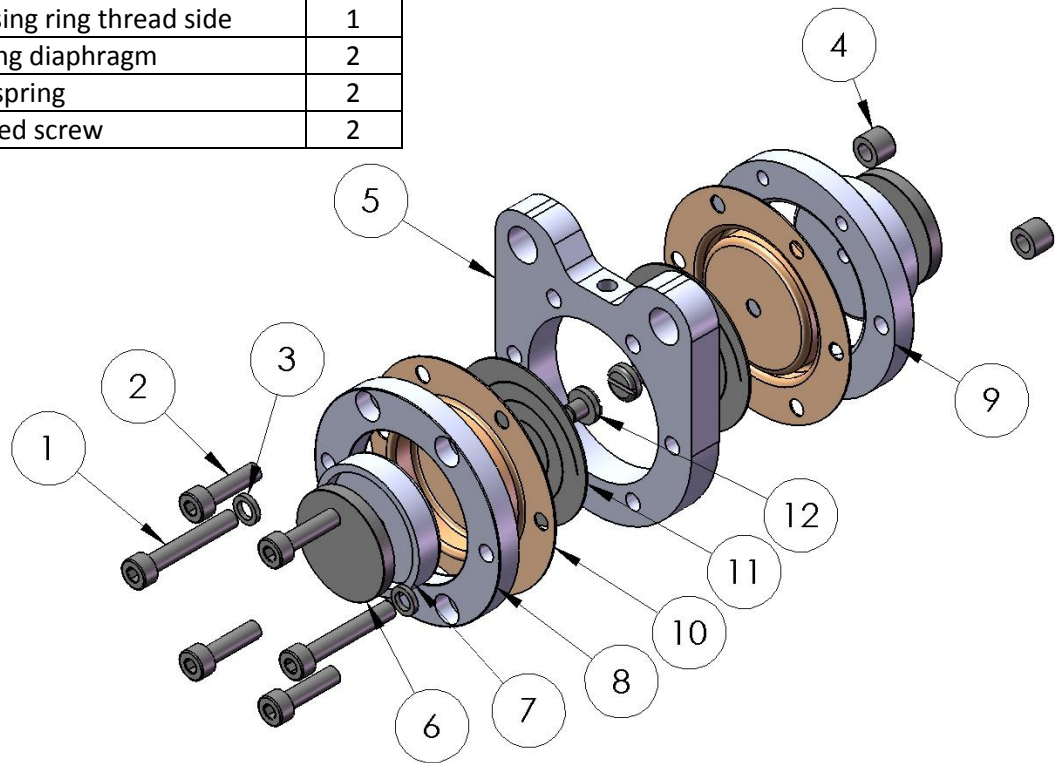
OWECON Friction Modules



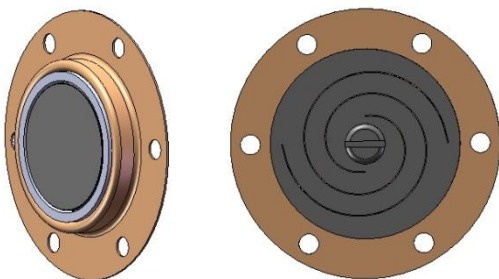
The OWECON series of friction modules are designed for the OWECON program of pneumatic brakes and clutches, but also suitable for other brands that meet the same functional dimensions. Besides a wide selection of standard models OWECON also design customer specific solutions. The modules are designed so that they can be disassembled down to the each component, in order to reduce maintenance costs. Compared with competing modules on the market, the cost in some cases can be reduced by up to 80%

Friction module for brake type OWB140 to 240

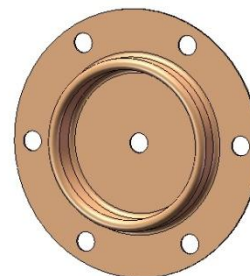
Pos. No	Text	Qty
1	Unbraco M4 x 25	2
2	Unbraco M4 x 15	4
3	Washer $\varnothing 6,7 \times \varnothing 4,3 \times 1,2$	2
4	Anti rotation pin $\varnothing 7$	2
5	Housing	1
6	Magnet	2
7	Piston	2
8	Housing ring head side	1
9	Housing ring thread side	1
10	Rolling diaphragm	2
11	Flat spring	2
12	Slotted screw	2



Replacement: Piston kit for R-Modules



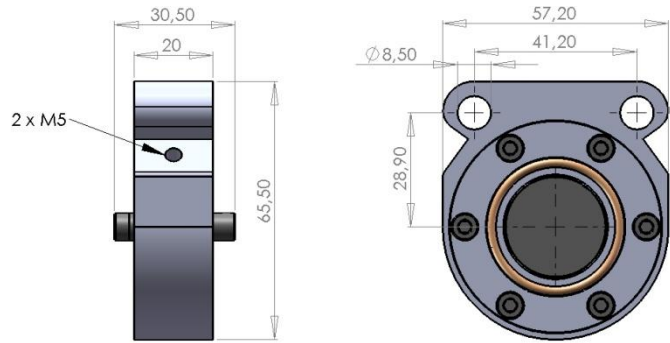
Rolling diaphragm for R-Modules



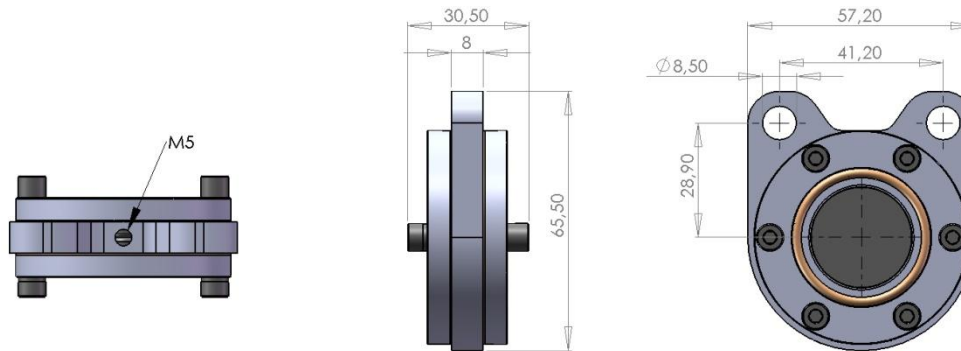
For this friction module both a replacement piston kit assembly and a replacement rolling diaphragm is available.

Design specifications

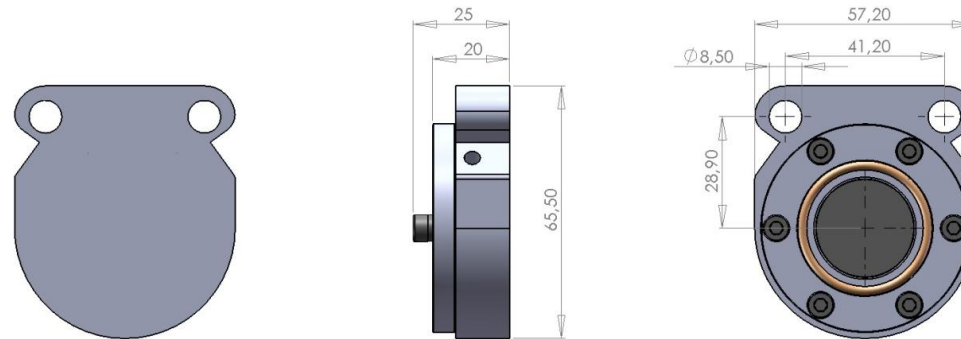
R1-Module



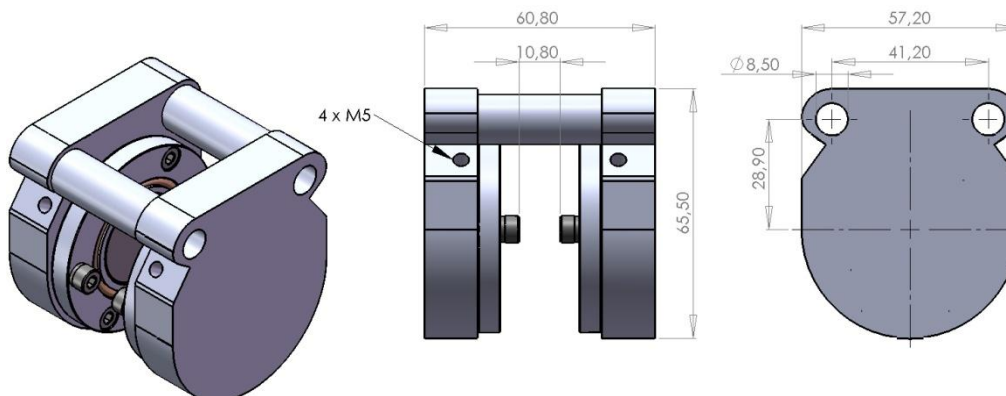
R4-Module



RS-Module

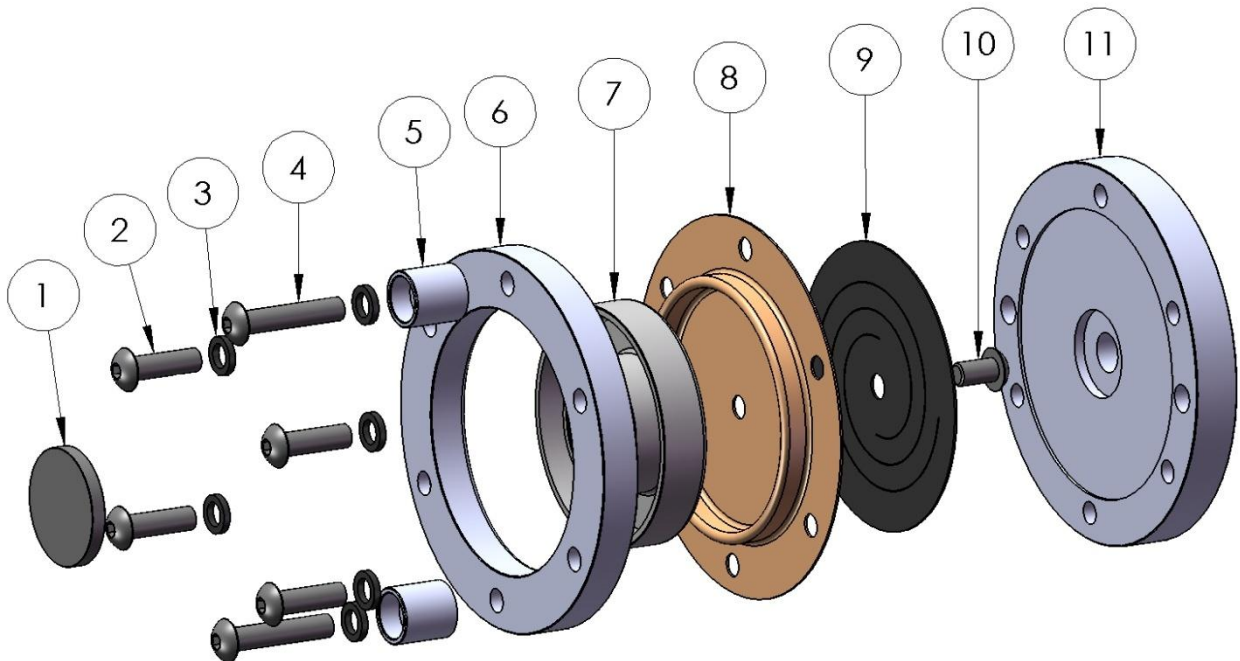


RC-Module

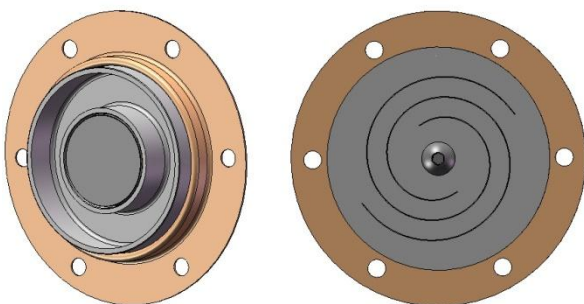


Friction module for brake type OWB250D to 350D

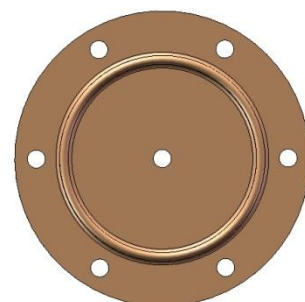
Pos.	Text	Qty
1	Magnet	1
2	Assembly screw	4
3	Spacer	6
4	Screw for anti rotation ring	2
5	Anti rotation ring	2
6	Piston ring	1
7	Piston	1
8	Rolling diaphragm	1
9	Spiral spring	1
10	Screw for spring	1
11	Piston housing	1



Replacement: Piston kit for S-Module



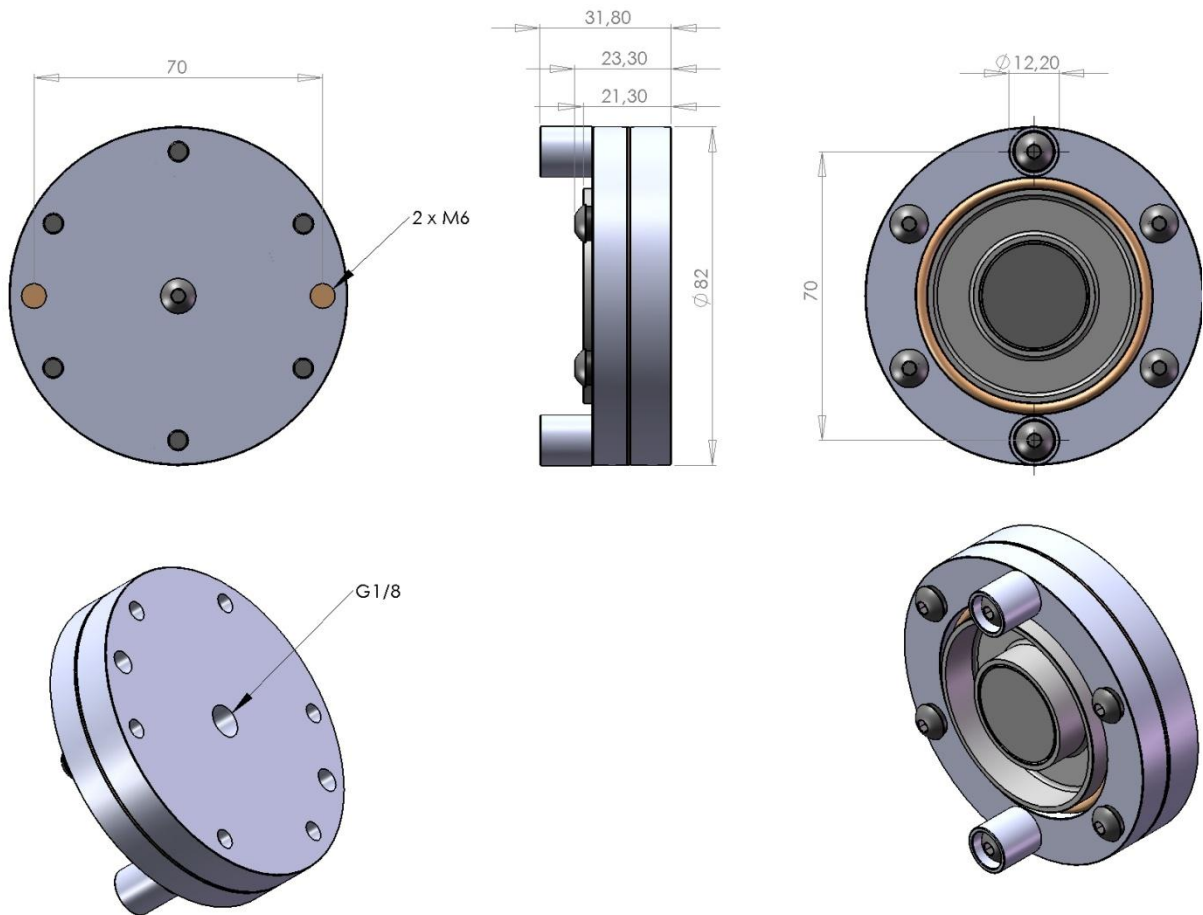
Rolling diaphragm for S-Module



For this friction module both a replacement piston kit assembly and a replacement rolling diaphragm is available.

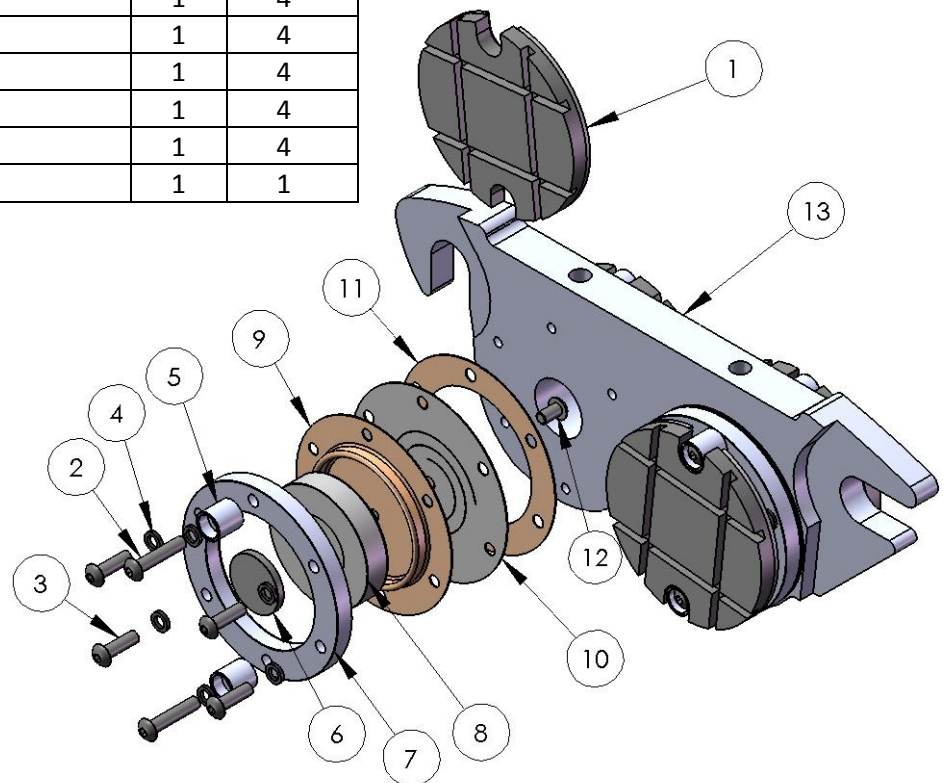
Design specifications

S1-Module

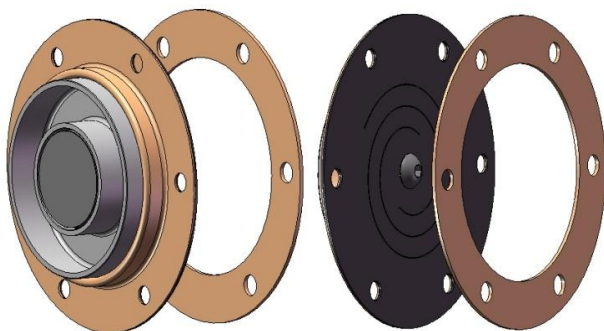


Friction module for brake type OWB250T to 350T

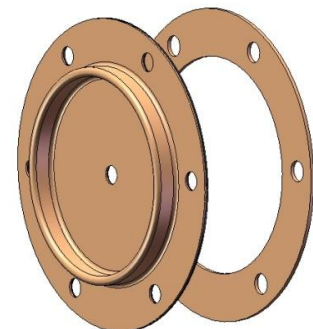
Pos. No	Text	Qty	Total Qty
1	Friction pad	1	4
2	Unbraco screw	2	8
3	Unbraco screw	4	16
4	Washer	6	24
5	Anti rotation ring	2	8
6	Magnet	1	4
7	Piston ring	1	4
8	Piston	1	4
9	Rolling diaphragm	1	4
10	Flat spring	1	4
11	Seal ring	1	4
12	Unbraco screw	1	4
13	Housing	1	1



Replacement: Piston kit for T-Module



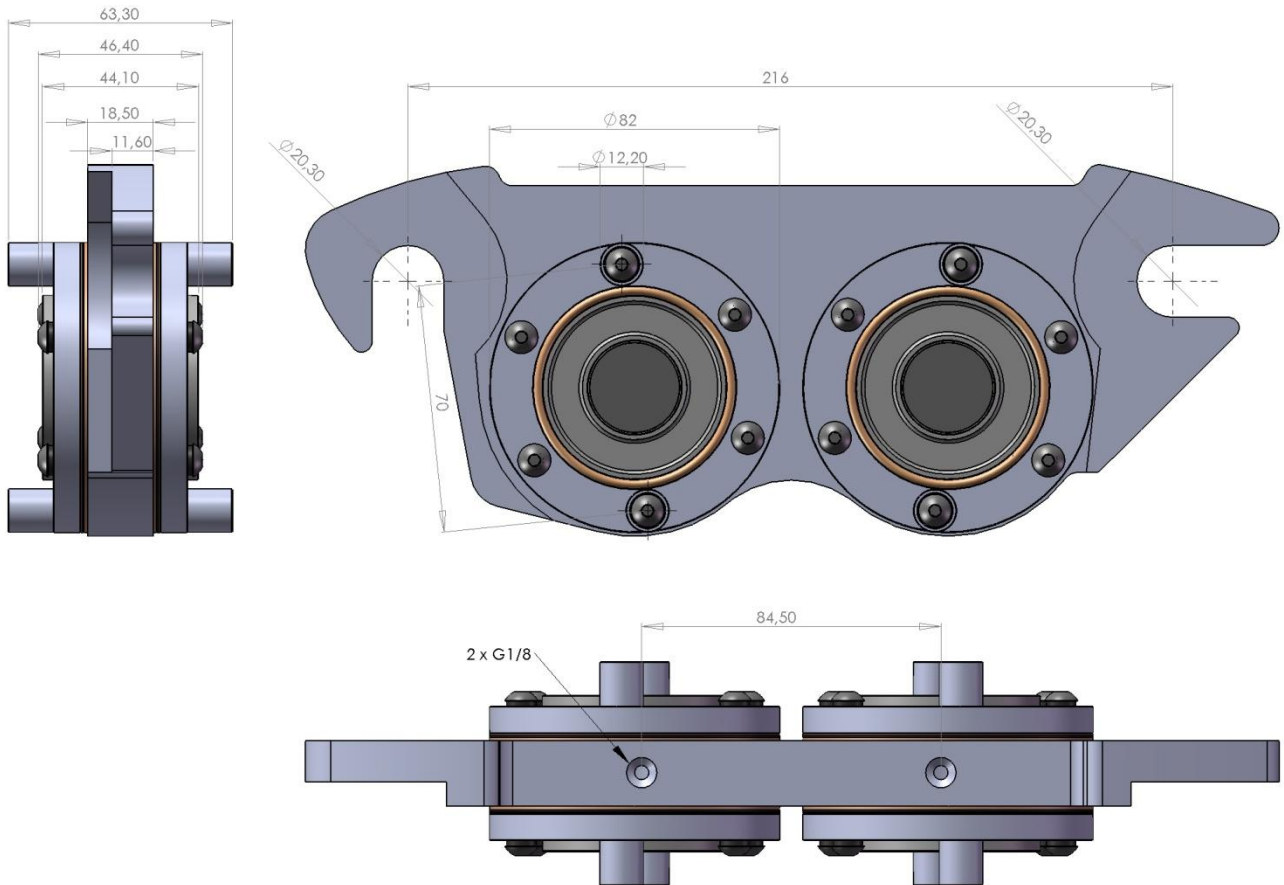
Rolling diaphragm and gasket for T-Module



For this friction module both a replacement piston kit assembly and a replacement rolling diaphragm and gasket is available.

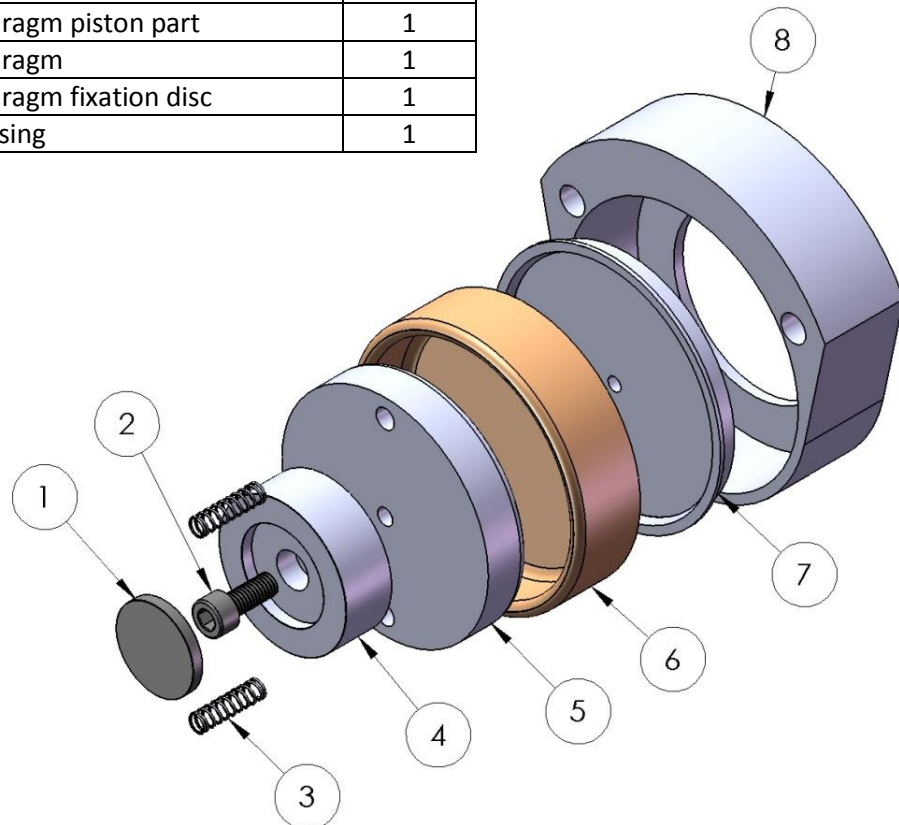
Design specifications

T4-Module



Friction module for brake type OWB250 to 400

Pos	Text	Qty
1	Magnet	1
2	Piston assembly screw	1
3	Piston spring	2
4	Magnet piston part	1
5	Rolling diaphragm piston part	1
6	Rolling diaphragm	1
7	Rolling diaphragm fixation disc	1
8	Cylinder housing	1



Replacement rolling diaphragm for P-Module



For this friction module only the rolling diaphragm will be replaced.

Design specifications

P1-Module

