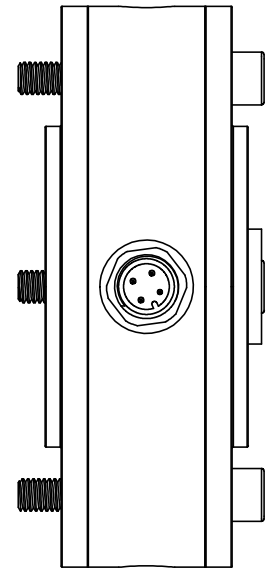
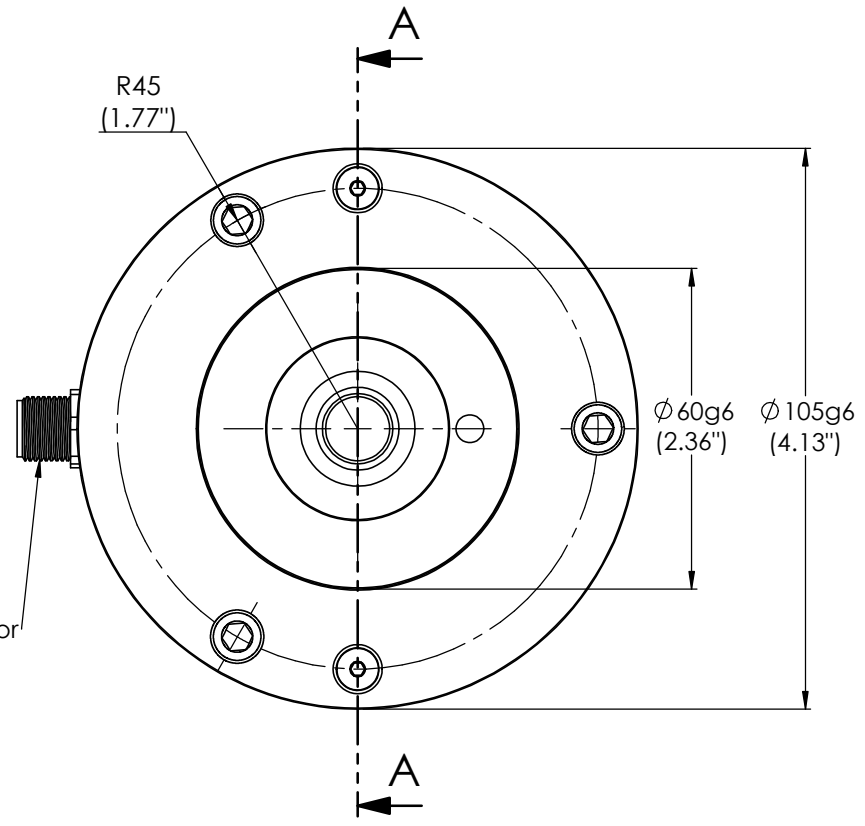


SECTION A-A



DATE	REVISION		OWECON ApS
DATE	NAME	MATERIAL:	DWG NO.
31/03-13	Torben Lerris		OWL112 Ø105xØ60x32_Dummy
WEIGHT:		SCALE:1:1	
			SHEET 1 OF 1

A3