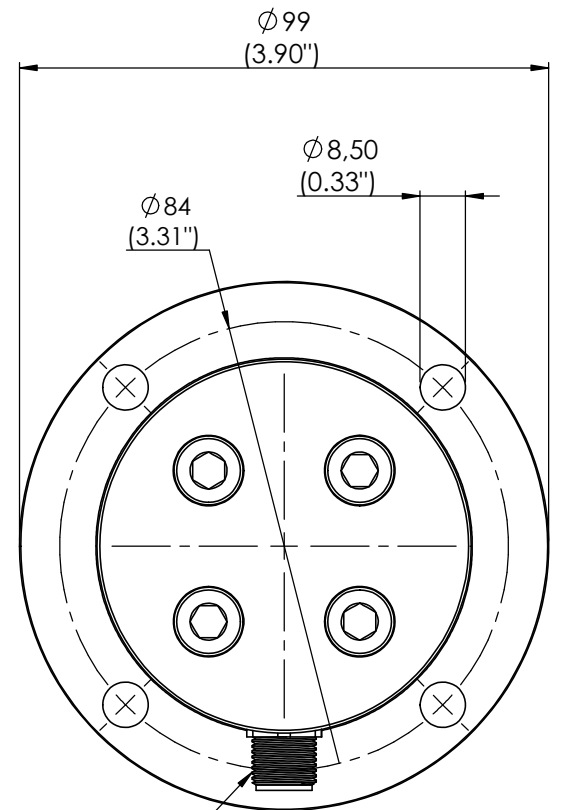
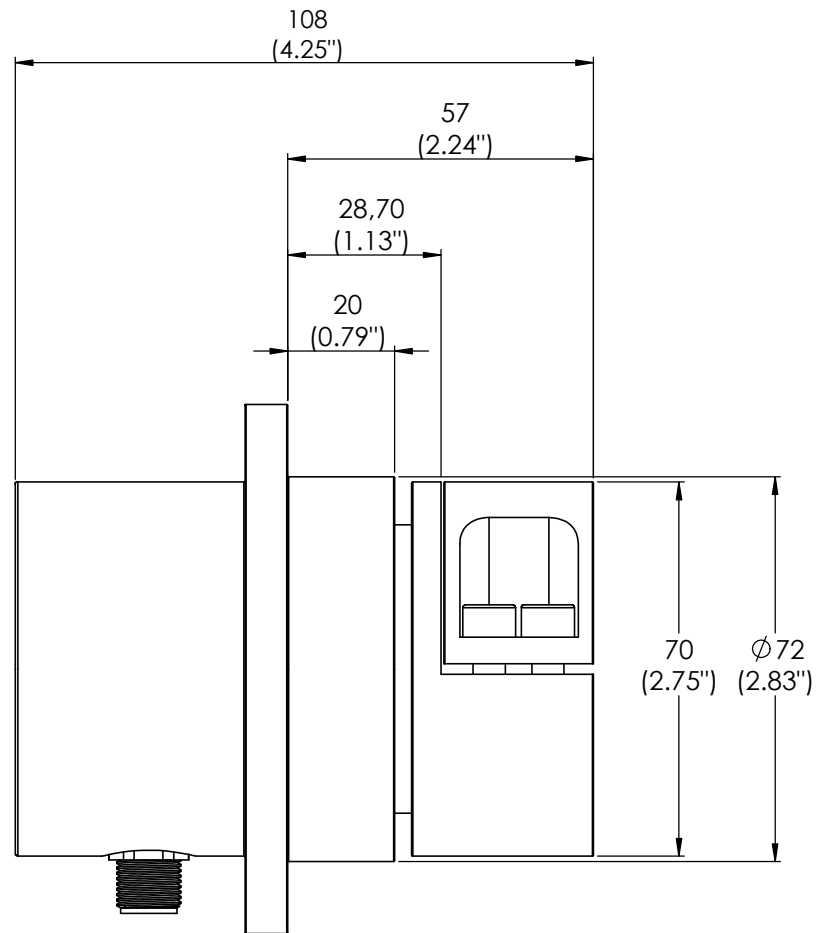


Ø 40 or 1.5"



M12x1 Connector

DATE	REVISION		OWECON ApS	
DATE	NAME	MATERIAL:	DWG NO.	A3
03/03-13	Torben Lerris		Wall mount load cell OWL220C20	
		WEIGHT:	SCALE:1:1	SHEET 1 OF 1