

Schlumpf Ergonomic Handling Systems



- Low Cost. Made In U.S.A.
- Simple Function
- Safe, Easy and Economical



Schlumpf's **MRT-330-AL-ADJ** is engineered to quickly and safely lift and turn rolls with weights to 330 lbs (150 kg).

The **MRT-330-AL-ADJ's** amazing turning function enables operators to turn even heavy loads with minimal effort with no external power source. The auto-leveling feature automatically shifts the hoist hook to ensure exact horizontal and vertical positioning both in the loaded and unload states, and the adjustable turner arm allows the unit be used with a greater variety of roll widths.

Rolls can be turned as quickly as the operator can move making for safe, rapid handling of your valuable product. By removing the need to "Manhandle" heavy loads the **MRT-330-AL-ADJ** reduces the risk of operator injury and fatigue, thus making your work place safer...saving you money.



"Back Injuries - Nations Number One Workplace Safety Problem." The U.S. Department of Labor reports that more than one million workers suffer back injuries in the U.S. each year, costing industry billions of dollars on top of the pain and suffering borne by employees. Schlumpf Ergonomic Handling Systems will minimize or eliminate the risk of operator injury and maximize productivity and profits.

**LIFT · TURN · TRANSPORT · LOAD · UNLOAD
· STACK · STORE · PACKAGE · PALLETIZE**

Standard Features:

- User friendly design.
- Fast and easy to use for all operators and skill levels.
- Ergonomic design with comfortable handles.
- Quick-change expanding mandrel holder.
- Change mandrel sizes in seconds without tools.
- Rugged steel construction with powder coated finish.
- Simple, low maintenance design.
- Low ongoing operating costs.
- Made in U.S.A.

Options & Accessories:

- Expanding mandrels 3" (76 mm) to 12" (304.8 mm).
- Anti-telescoping attachment with manual clamp.
- Anti-telescoping attachment with pneumatic clamp.
- Extended turner for greater roll widths.
- Integrated hoist controls.
- Mounting brackets for hoist pendants & controls.
- Custom configurations available.

Distributed By:

Specifications and dimensions subject to changes without notice.
Consult Schlumpf for current drawings! Published 04-2005.



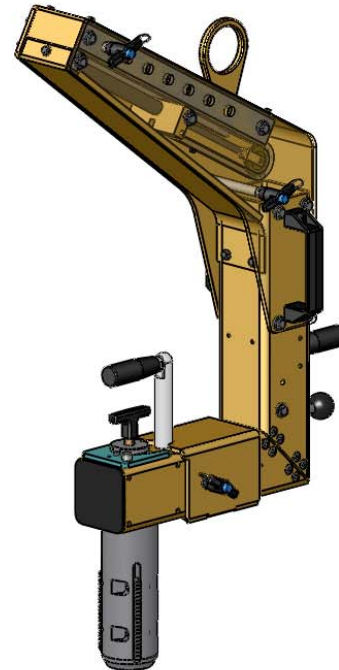
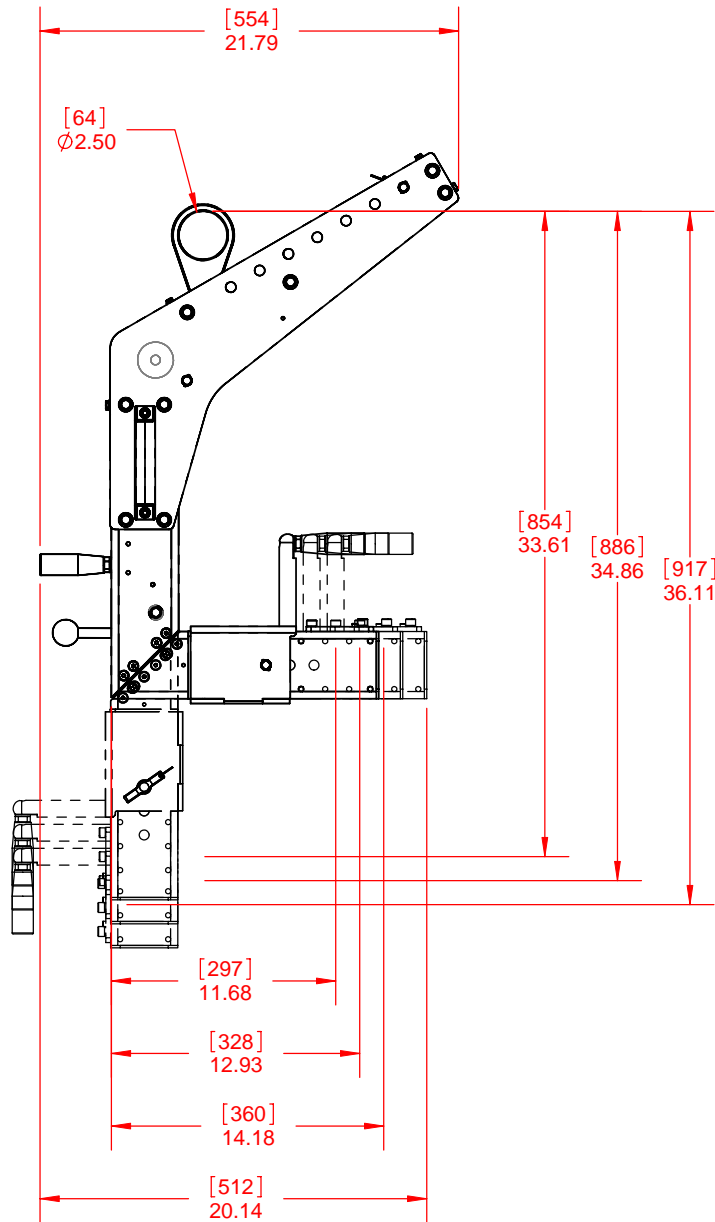
innovation. performance. quality.

Schlumpf, Inc. 15 Enterprise Drive, Windham, ME 04062, Tel: 207 893 1903 Fax: 207 893 1905, www.schlumpf-inc.com, mail@schlumpf-inc.com

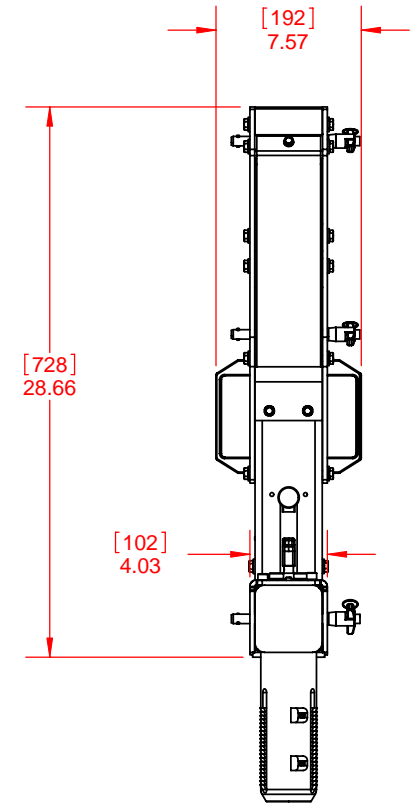


*Upon Request

**MRT-330-AL-ADJ Manual Roll Turner
With Auto Leveling and Adjustable Turner Arm**



shown with 3" T-handle mandrel;
MANDRELS SOLD SEPARATELY



MIN - MAX roll widths, in (mm)			
Weight, lb (kg)	setting 1	setting 2	setting 3
330 (150)	14.5 - 19 (368 - 483)	17 - 22 (432 - 559)	19.5 - 24.5 (495 - 622)
300 (136)	14.25 - 19.5 (362 - 495)	16.75 - 22.5 (425 - 572)	19.25 - 25 (489 - 635)
250 (113)	14 - 20.25 (356 - 514)	16.25 - 23.25 (413 - 591)	18.75 - 26 (476 - 660)
200 (91)	13.25 - 21.25 (337 - 540)	15.75 - 24.25 (400 - 616)	18 - 27.25 (457 - 692)
150 (68)	12.5 - 23 (318 - 584)	15 - 26 (381 - 660)	17 - 29.5 (432 - 749)
100 (45)	10.75 - 26.5 (273 - 673)	13 - 30.25 (330 - 768)	15.5 - 33.5 (394 - 851)

THE INFORMATION CONTAINED IN THIS DRAWING IS THE SOLE PROPERTY OF SCHLUMPF INC. ANY REPRODUCTION IN PART OR AS A WHOLE WITHOUT WRITTEN PERMISSION OF SCHLUMPF INC. IS PROHIBITED.

PART. NO.
L-10682

 **schlumpf**
15 Enterprise Drive, Windham, ME 04062 U.S.A.
Tel: 207-893-1903 Fax: 207-893-1905
E-Mail: mail@schlumpf-inc.com URL: www.schlumpf-inc.com

SIZE
A DO NOT SCALE DRAWING

UNIT WEIGHT (lb)
63.245

DRAWN BY
Matthew Skelton

DESIGNED BY
Matthew Skelton

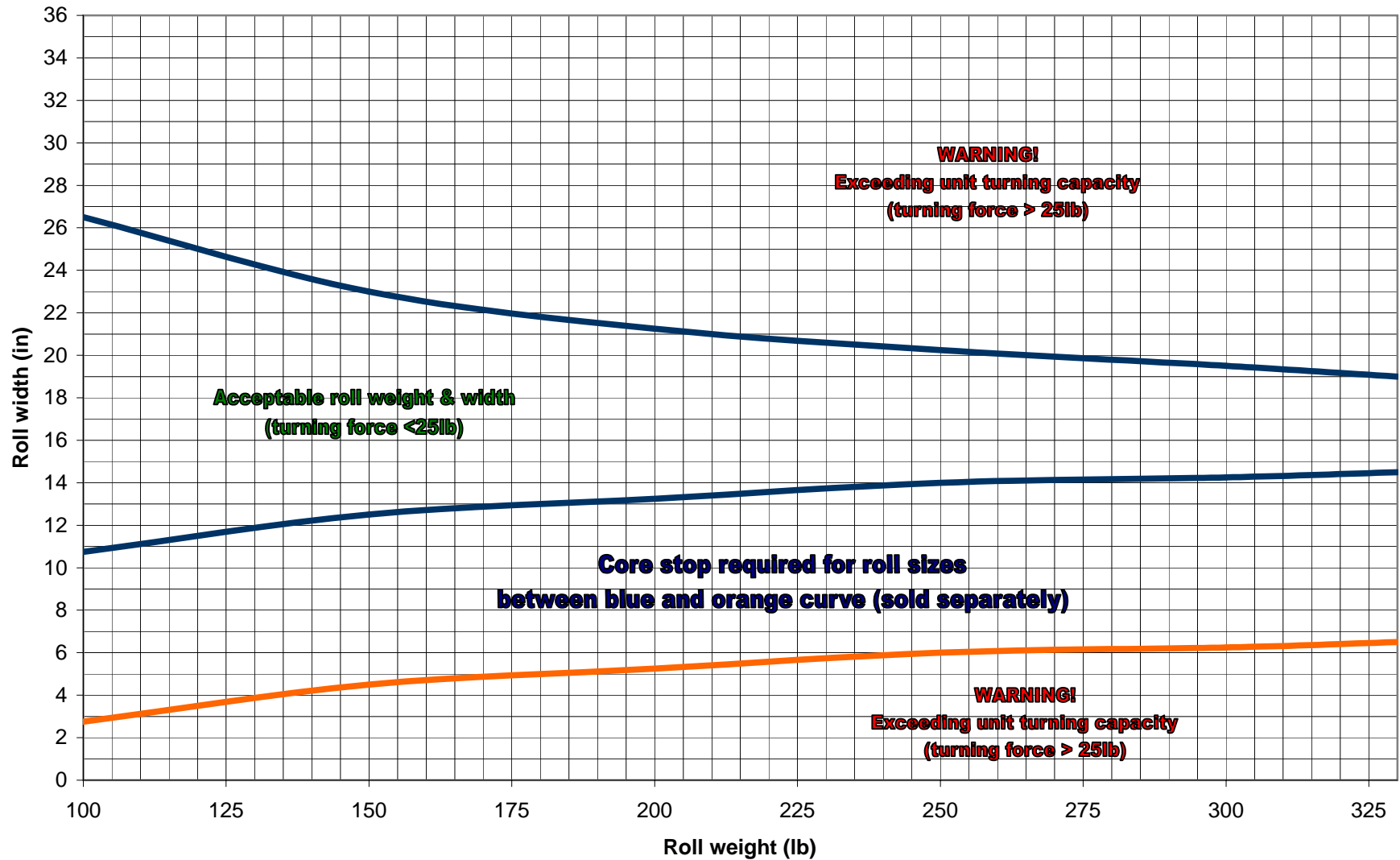
DATE CREATED
5/23/2008

MODEL
MRT-330-AL manual roll turner (adj. mandrel arm)

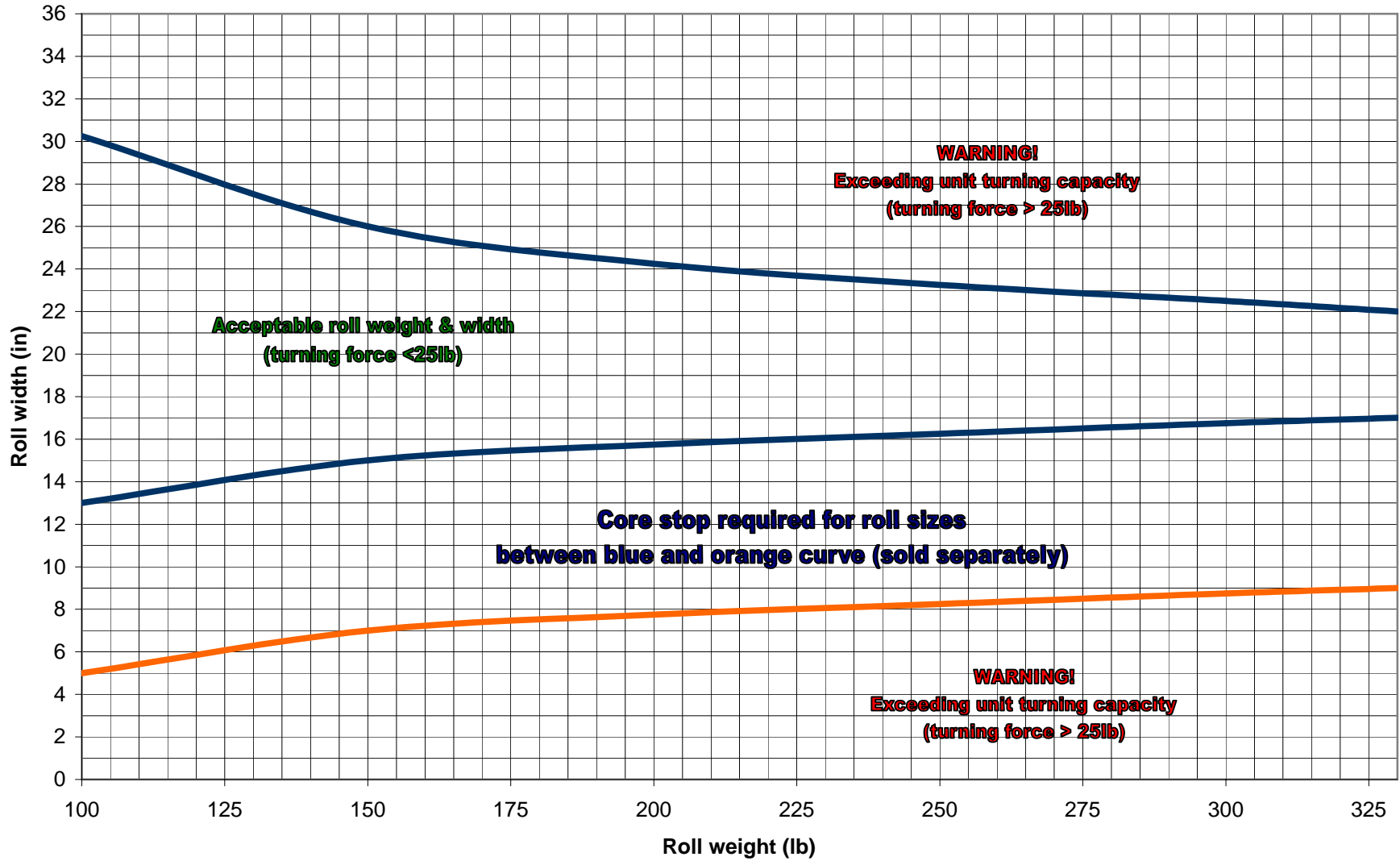
DATE PRINTED
9/11/2008

REVISIONS			
REV.	DESCRIPTION	DATE	INITIALS

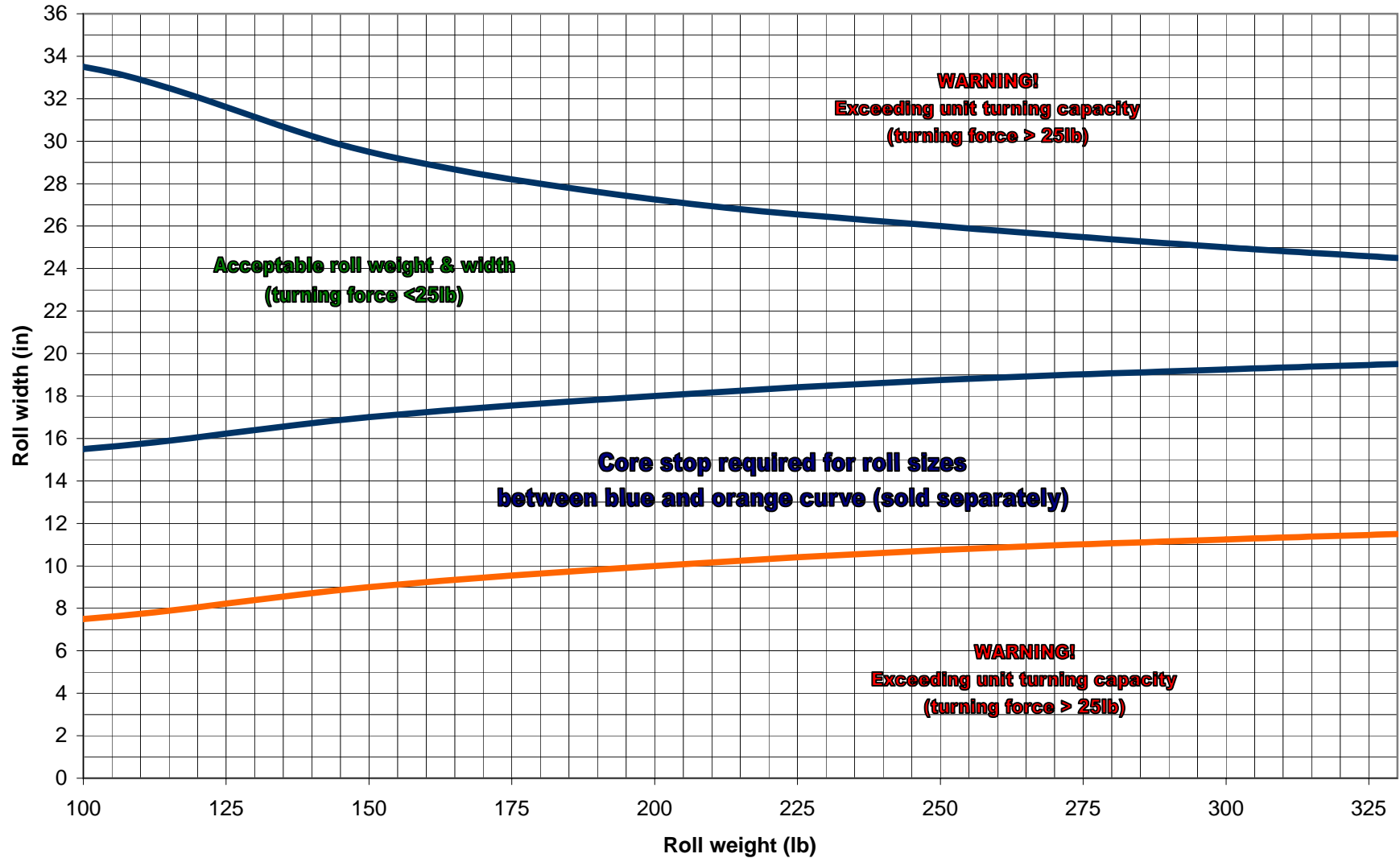
MRT-330 capacity range - mandrel arm setting #1



MRT-330 capacity range - mandrel arm setting #2



MRT-330 capacity range - mandrel arm setting #3



MIN - MAX roll widths, in (mm)

Weight, lb (kg)	setting 1	setting 2	setting 3
330 (150)	14.5 - 19 (368 - 483)	17 - 22 (432 - 559)	19.5 - 24.5 (495 - 622)
300 (136)	14.25 - 19.5 (362 - 495)	16.75 - 22.5 (425 - 572)	19.25 - 25 (489 - 635)
250 (113)	14 - 20.25 (356 - 514)	16.25 - 23.25 (413 - 591)	18.75 - 26 (476 - 660)
200 (91)	13.25 - 21.25 (337 - 540)	15.75 - 24.25 (400 - 616)	18 - 27.25 (457 - 692)
150 (68)	12.5 - 23 (318 - 584)	15 - 26 (381 - 660)	17 - 29.5 (432 - 749)
100 (45)	10.75 - 26.5 (273 - 673)	13 - 30.25 (330 - 768)	15.5 - 33.5 (394 - 851)