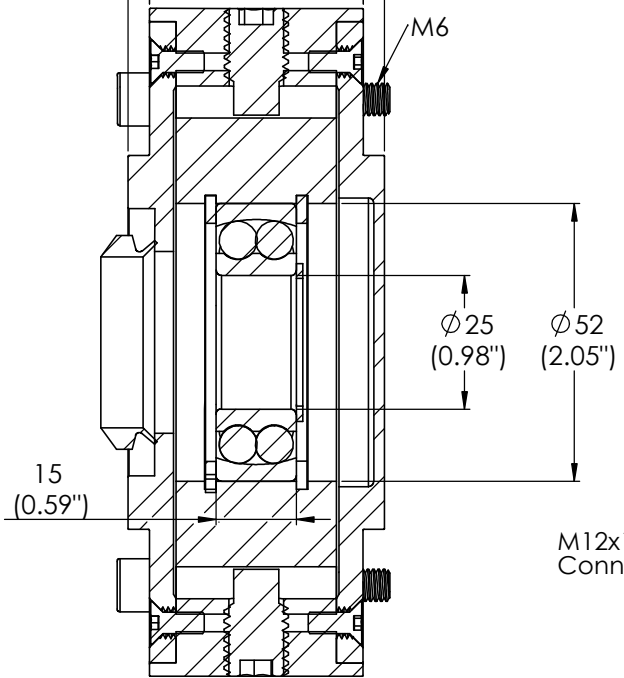
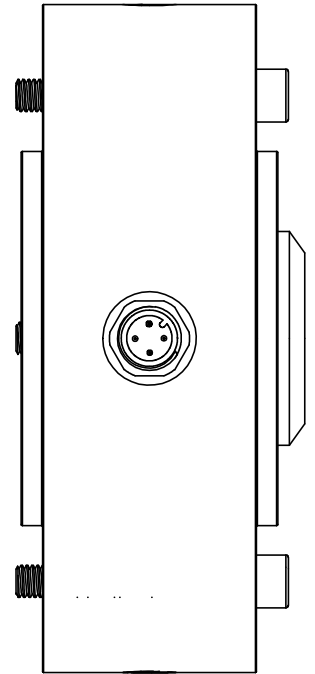
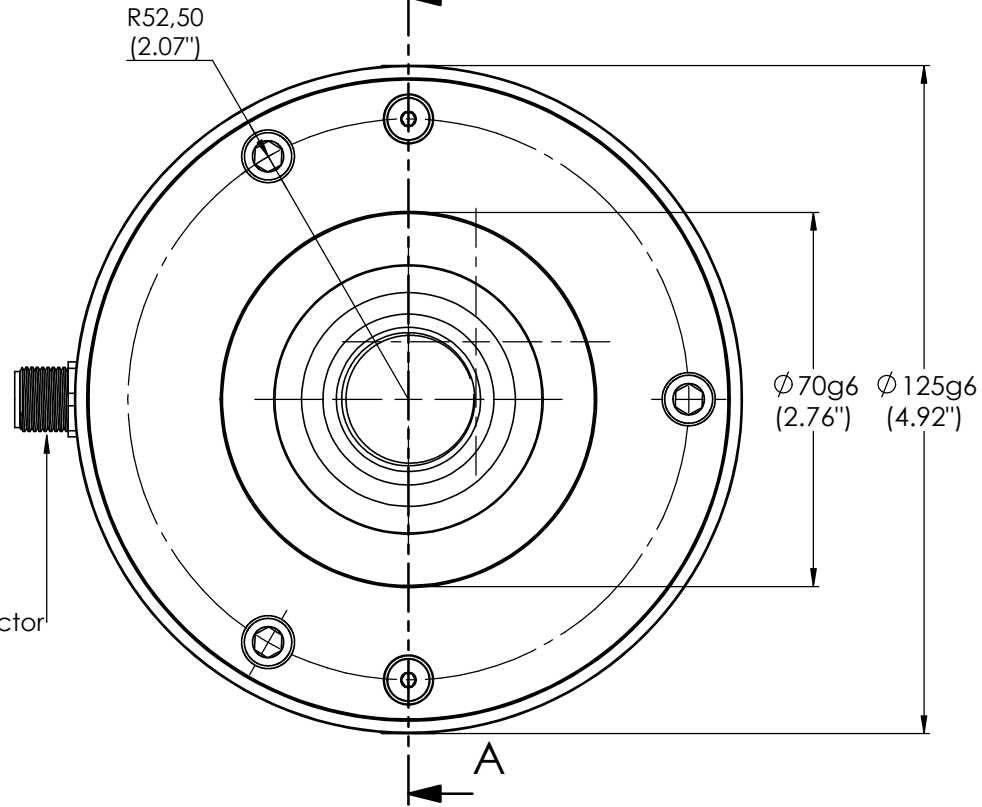


4 (0.16") 40 (1.57") 4 (0.16")



SECTION A-A

M12x1 Connector



DATE		REVISION		OWECON ApS	
DATE	NAME	MATERIAL:	DWG. NO.	A3	
31/03-13	Torben Lerris		OWL125 Load Cell		
WEIGHT:		SCALE:1:1		SHEET 1 OF 1	